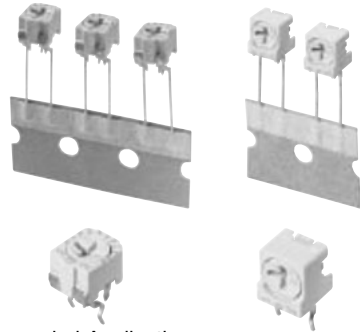


6 mm Square Dustproof Ceramic Trimmer Potentiometers (Cermet, Radial Taping, with Knob Protection)

Type: **EVMEYS/EVMEVS**
(High-Reliability Type, Radial Taping)
EVMEYG/EVMEVG
(High-Reliability Type, Bulk)



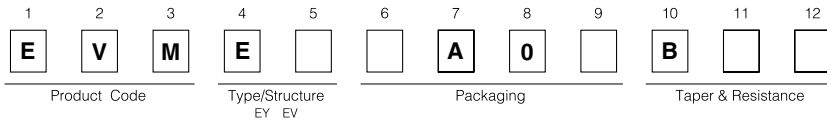
■ Features

- No readjustment needed due to knob protected structure
- Excellent mounting efficiency due to cubic shape suited to automatic pick-and-place assembly equipment
- Power Rating: 0.5 W MAX.
- Temperature Coefficient of Resistance: within $\pm 100 \times 10^{-6}/^{\circ}\text{C}$ (ppm/°C)
- Approved under the ISO 9001 system
- Conforms to JIS C5261

■ Recommended Applications

- Audio visual equipment, Office Automation equipment, Communication equipment
- Other general electronic equipment

■ Explanation of Part Numbers



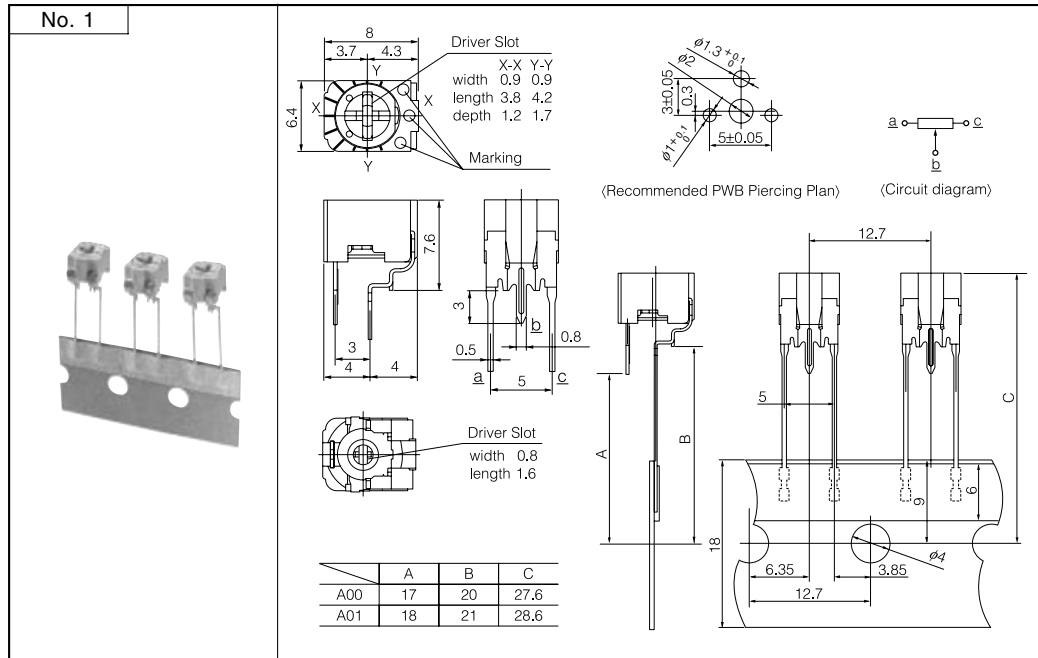
■ Major Specifications

Total Resistance Value	1 kΩ to 2 MΩ
Resistance Tolerance	±20 %
Power Rating	70 °C ∙ 0.5 W (125 °C ∙ 0 %)
Max. Operating Voltage	200 V
Rotation Torque	2 to 30 mN · m
Stopper Strength	50 mN · m nim.
Temperature Coefficient of Resistance	±100 × 10 ⁻⁶ /°C(ppm/°C)

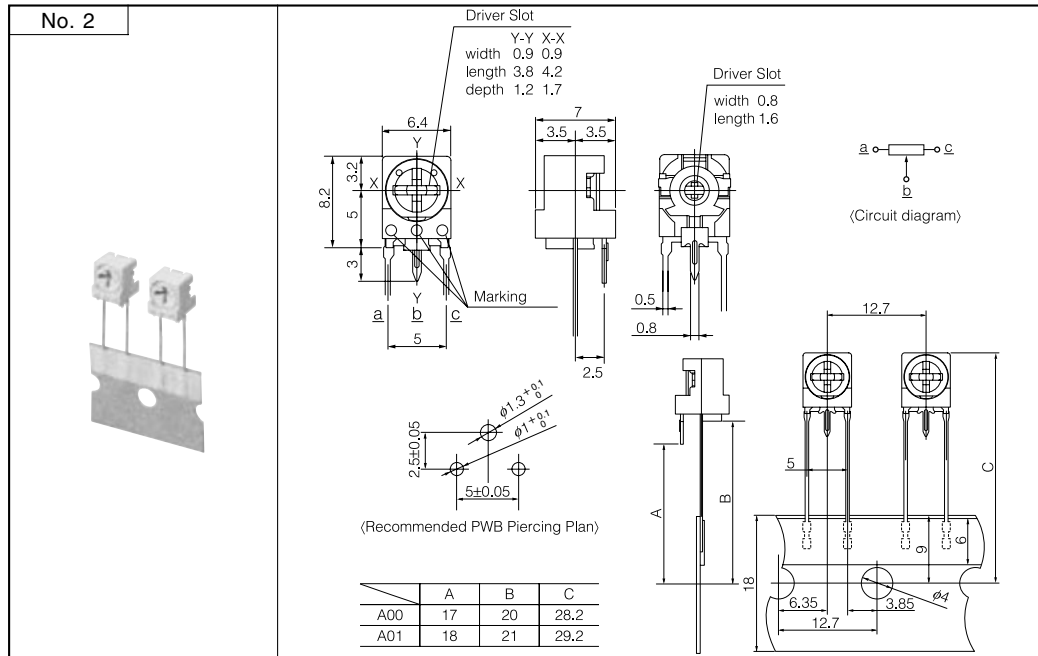
■ Minimum Quantity/Packing Unit

Part Number	Radial taping		Bulk	
	Quantity per Box	Packaging quantity	Quantity per pack	Packaging quantity
EVMEYS EVMEVS	1000	10000	—	—
EVMEYG EVMEVG	—	—	200	2000

- Dimensions in mm (not to scale)
- Radial tapering
- 3-terminal, Top-adjust, Cross/Ordinary Slots EVMEYS



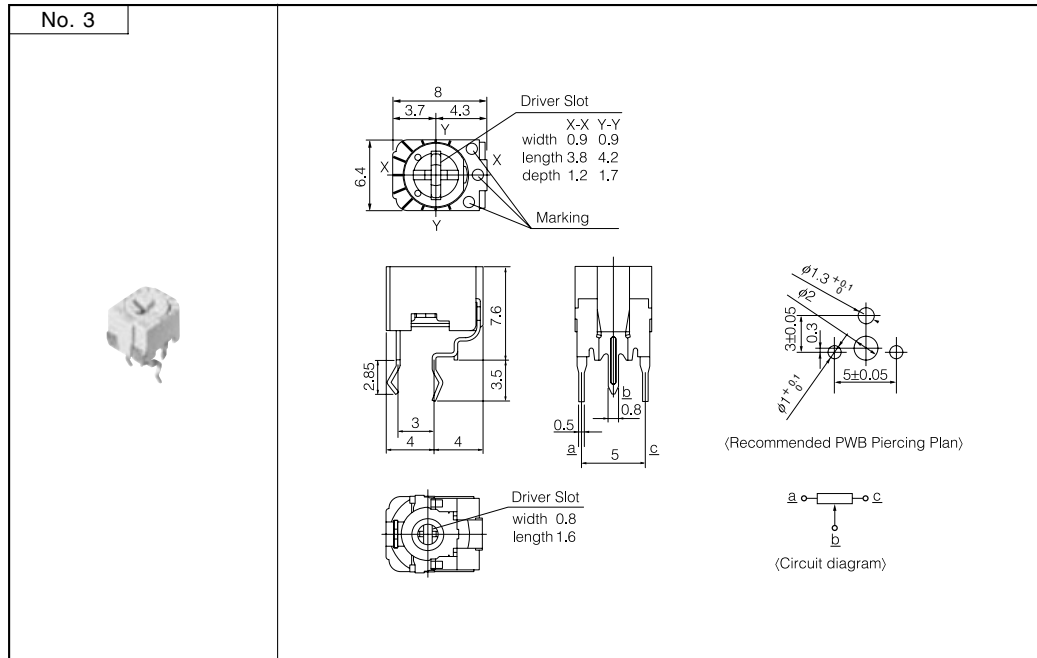
- 3-terminal, Side-adjust, Cross/Ordinary Slots EVMEVS



■ Dimensions in mm (not to scale)

● Bulk

● 3-terminal, Top-adjust, Cross/Ordinary Slots EVMEYG



● 3-terminal, Side-adjust, Cross/Ordinary Slots EVMEVG

